

|         |          |         |
|---------|----------|---------|
| PROJECT | QUANTITY | ITEM NO |
|---------|----------|---------|

# Automatic Breeding Machine

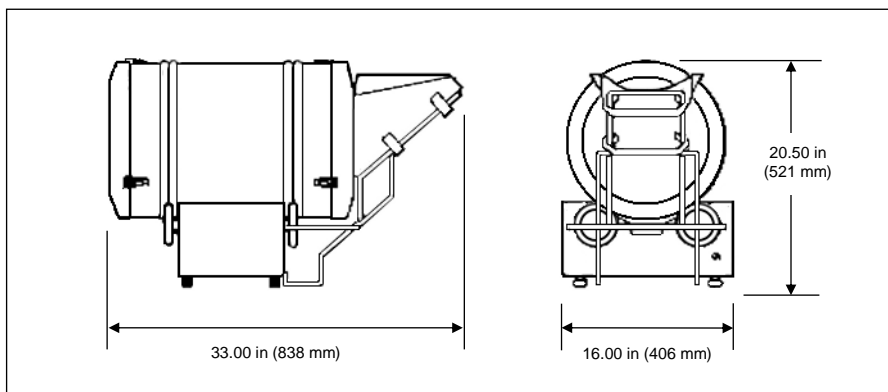
**BM 110**



BM 110 Automatic breeding machine

Henny Penny automatic breeding machines are designed to provide high volume fried chicken operations with a constant supply of freshly breaded product.

The BM 110 automatic breeding machine uses a rotating drum to gently tumble food through breading at a rate of up to 400 lb (181 kg) per hour. This compact tabletop unit will give your freshly breaded products a consistent look, taste and texture, while saving labor and reducing breading and product waste.



### Dimensions

|        |          |          |
|--------|----------|----------|
| Height | 20.50 in | (521 mm) |
| Width  | 33.00 in | (838 mm) |
| Depth  | 16.00 in | (406 mm) |

### Crated

|        |                     |                        |
|--------|---------------------|------------------------|
| Length | 33 in               | (840 mm)               |
| Depth  | 17 in               | (430 mm)               |
| Height | 22 in               | (560 mm)               |
| Volume | 7.2 ft <sup>3</sup> | (0.20 m <sup>3</sup> ) |
| Weight | 66 lb               | (30 kg)                |


### Drum capacity

|            |                          |
|------------|--------------------------|
| Product    | 25 lb (4.5 kg) per load  |
| Throughput | 400 lb (181 kg) per hour |

### Laboratory certifications



### Electrical

| Volts | Phase | Hertz | kW   | Amps | Wire* | Cord & Plug   |
|-------|-------|-------|------|------|-------|---|
| 120   | 1     | 50-60 | 0.18 | 0.4  | 2+G   | Included with 120 V   |
| 240   | 1     | 50-60 | 0.18 | 0.2  | 2+G   | <br>NEMA 5-15P |

### Standard Features

- Large 10 lb (4.5 kg) capacity stainless steel drum and paddles produce continuous feed and tumbling action
- Gentle tumbling action promotes even coverage while saving up to 25 percent on breading usage
- Compact design requires only three linear feet of counter space, plus catch pan
- Heavy duty motor with chain drive operates at a minimum of 8 rpm to eliminate slippage and reduce wear
- Single switch control
- Adjustable leveling legs
- Quick disassembly for dishwasher-safe cleaning

### Bidding specifications

Provide Henny Penny model BM 110 Automatic Breeding Machine designed to "tumble" bread up to 400 lb (181 kg) of product per hour.

Unit shall incorporate:

- Heavy duty motor with 8 rpm minimum drum rotation to protect motor from excess wear
- High-quality stainless steel drum and paddle assembly
- Disassembly for easy cleaning
- 6 ft (1.8 m) power cord and plug with 120 V unit

\*Units shipped without power cord and plug must have power cord and plug installed on site by a qualified electrician.

Continuing product improvement may subject specifications to change without notice.

**24 Hour Technical Support:**  
Henny Penny Technical Service  
800 417.8405  
[technicalservices@hennypenny.com](mailto:technicalservices@hennypenny.com)

**Henny Penny Corporation**  
PO Box 60 Eaton OH 45320 USA  
+1 937 456.8400 800 417.8417  
+1 937 456.8434 Fax 800 417.8434 Fax  
[www.hennypenny.com](http://www.hennypenny.com)

**HENNY PENNY**  
Engineered to Last